

T10 Replacement LED Globe

- CANbus Compatible
- 10 High Brightness SMD LEDs
- Reverse Polarity Protected
- 50,000 Hours Lifespan
- 32V Over Voltage Protection
- Cool White 6500K

Function	T10 White
Voltage	12-24V
LED Qty	10
Lumens	200m Effective
Fitting	Wedge
Draw	@12V 0.16A

200lm
Effective Lumens

360°
Beam Angle

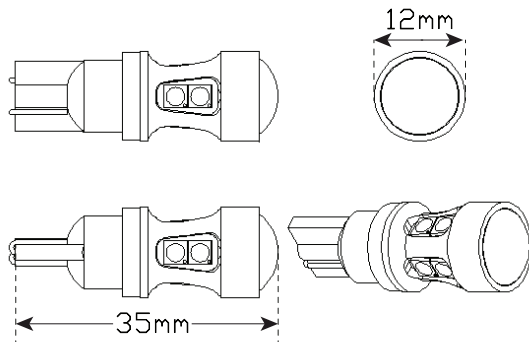
10 Year
Warranty



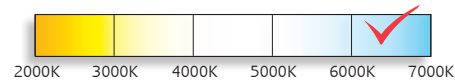
Active



Part No. T10WM



Colour temperature scale



Fitting Instructions

Fit wedge end into connector of lamp holder.



All enquiries P: (03) 9466 7075 E: led@ledtech.com.au, www.ledautolamps.com

All efforts are made to ensure all information is correct and up to date, it can be subject to change without notice. All measurements are in millimeters (mm) and are not to scale.

© All LED Technologies designs are registered throughout the world. - Current as of 14/05/2019

T10 Micro Size LED Globe

- T10 Wedge Fitting
- 320° Beam Angle
- Polarity Protected
- 20'000 Hrs Lifespan
- 12 Volt Only
- 10 Year Warranty

Function	T10 White
Voltage	12 Volt Only
LED Qty	3 SMD
Lumens	85m Effective
Fitting	Wedge
Draw	@ 13.8V 0.06A

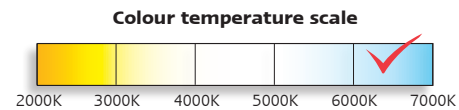
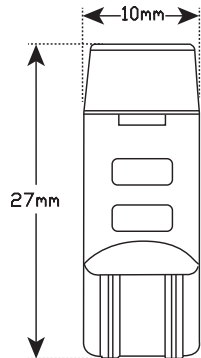
85lm
Effective Lumens

360°
Beam Angle

10 Year
Warranty



Part No. T10W-12



Fitting Instructions

Fit wedge end into connector of lamp holder.



All enquiries P: (03) 9466 7075 E: led@ledtech.com.au, www.ledautolamps.com

All efforts are made to ensure all information is correct and up to date, it can be subject to change without notice. All measurements are in millimeters (mm) and are not to scale.

© All LED Technologies designs are registered throughout the world. - Current as of 14/05/2019